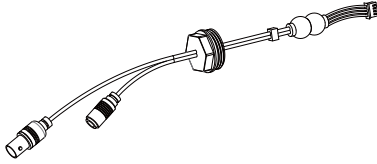




## Waterproof Power /Video Cable Installation Sheet



### Before you start

#### Precautions

- Do not attempt to dismantle the camera module mounted within the dome. There are no user serviceable parts within the camera module. Refer servicing to qualified personnel.
- Handle the camera with care. Do not abuse the camera. Avoid striking or shaking it. Improper handling and storage could damage the camera.
- Do not operate the camera beyond its temperature, humidity or power source rating. Please refer to the environmental information.

#### Emissions

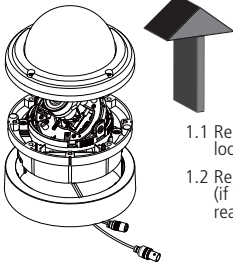
• **FCC COMPLIANCE:** This equipment complies with Part 15 of the FCC rules for intentional radiators and Class B digital devices when installed and used in accordance with the instruction manual. Following these rules provides reasonable protection against harmful interference from equipment operated in a commercial area. This equipment should not be installed in a residential area as it can radiate radio frequency energy that could interfere with radio communications, a situation the user would have to fix at their own expense.

Please visit our website for more information  
[www.devview.com](http://www.devview.com)

Certain product names mentioned herein may by trade names and/or

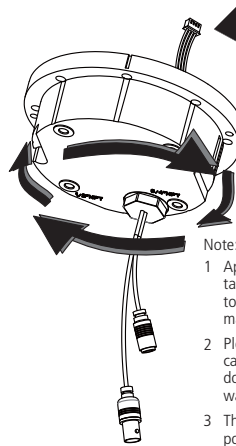
Ver. 07/2010

### 1 Prepare the dome for cable replacement



- 1.1 Remove dome cover by loosening four cover screws.
- 1.2 Remove camera assembly (if fitted) to have the dome ready for replacement.

### 3 Installing the waterproof power/video cable



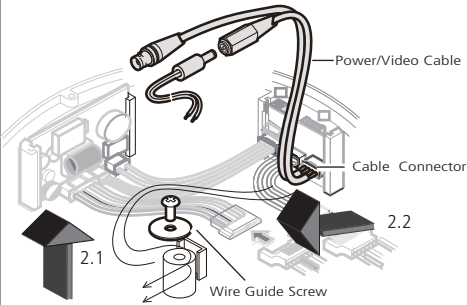
- 3.1 Insert the waterproof cable through conduit entry on the bottom of the housing.

- 3.2 Tighten the cable screw in a clockwise direction indicated by arrows.

#### Note:

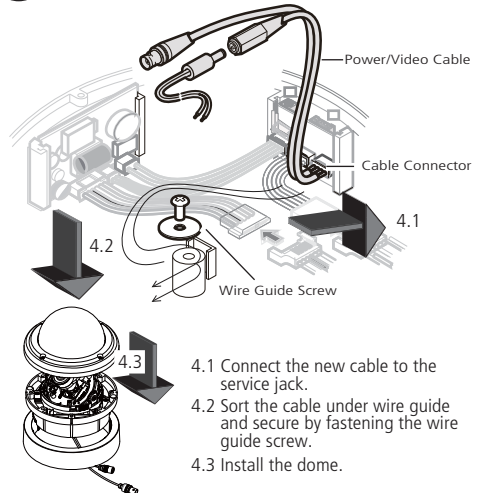
- 1 Apply thread compound or Teflon tape (not provided) to the threads to seal the dome properly and maintain the IP rating.
- 2 Please make sure the cable is tightly fastened to the dome base to ensure satisfactory waterproof performance.
- 3 The BNC and power connection points are not waterproof and should be protected appropriately.

### 2 Remove the existing power/video cable



- 2.1 Loosen and remove the wire guide screw.
- 2.2 Gently remove the power/video cable plug from the connector.
- 2.3 Once detached, remove the existing cable.

### 4 Complete the installation



- 4.1 Connect the new cable to the service jack.
- 4.2 Sort the cable under wire guide and secure by fastening the wire guide screw.
- 4.3 Install the dome.